

# The Aerofoil

The Aerofoil is a single-plane sink system with a proprietary in-wall support system. Crafted from solid surface, the washplane can be specified in a wide range of finishes to suit any project.

**+ TSL.AERO1**



**+ TSL.AERO3**



**+ TSL.AERO2**



**+ TSL.AERO4**



<b>Variant code</b>	<b>Size</b>	<b>Users</b>
TSL.AERO1	30" x 20	1 User
TSL.AERO2	60" x 20	2 User
TSL.AERO3	90" x 20	3 User
TSL.AERO4	120" x 20	4 User

#### Technical Data

Warranty	10 Year material warranty	1 Year mechanical warranty
Washplane Material	Solid Surface	
Support System	Mild steel, Stainless steel, Aluminum and PVC	
Colours	See suppliers for full range of finishes.	

#### Installation requirements

Wall construction	Brackets included. Installer should ascertain that wall construction is sufficiently designed to support the Aerofoil.	
Fixed height	See Drawing	
Wall Fixings	Must be fixed to a suitable wall substrate to allow for the correct use of the Aerofoil. The Splash Lab recommend that installers contact a fixings specialist for advice to ensure the correct fixings are used for the location. Wall fixings are not included with the Aerofoil	
Plumbing	Connection to 1 1/2" waste outlet required. (one connection per user) Installer to provide water for faucets. See separate datasheet for The Splash Lab sensor faucets.	
Access requirements	Solenoid and isolation valves must be accessible for initial installation & commissioning and for ongoing and routine maintenance.	

#### Compliance & certificates

ADA	ADA compliant when installed correctly	
IPC	2021, 2018, 2015, 2012 and 2009	
IRC	2021, 2018, 2015, 2012 and 2009	
NPC	2015, 2010 and 2005	
LEED	Solid surface products contribute to LEED v.4 points for Indoor Air Quality	
CSA	B45.5 / IAPMO Z124-2017 - Plastic Plumbing Fixtures	

**Included**

- Washplane
- Washplane extrusion
- PVC gully extrusion
- Grate housing extrusion
- Sprung steel grate
- Waste support bracket
- Waste funnel
- Leg assembly w/ clamp block

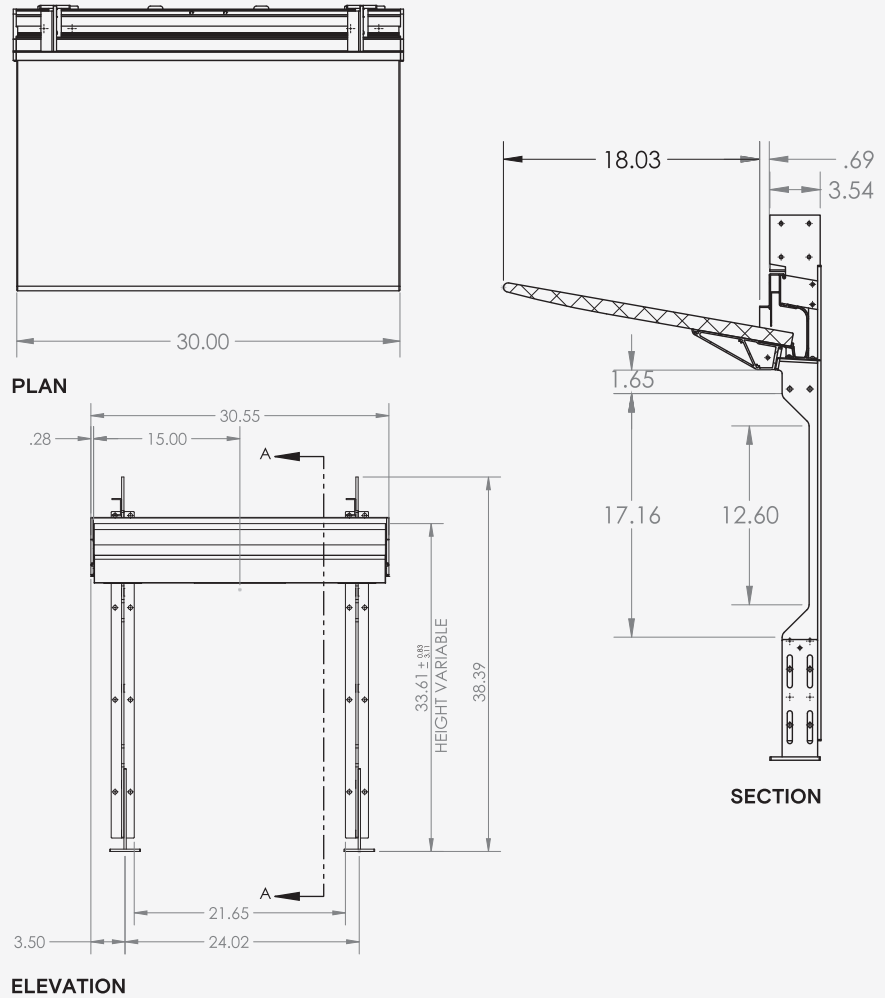
**Not included**

- Faucet
- Mounting hardware

**Warranty**

- 10 Year material warranty
- 1 Year mechanical warranty

**+ Technical drawing**



**Spare parts**

If a situation arises where you require replacement components outside of a maintenance contract, there may be provision to obtain spare parts. Providing the components are under warranty and the parts have become non-functioning during normal use within their assumed usable life, they may be replaced. Should a replacement mains power supply be required it is imperative that an identical type is used. Contact **The Splash Lab** for further information.

**Related products**



**The Radius Sensor Tap**  
TSL.882

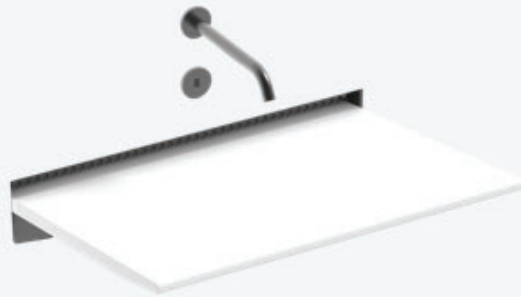


**The Radius Soap Dispenser**  
TSL.467

# The Aerofoil

The Aerofoil is a single-plane sink system with a proprietary in-wall support system. Crafted from solid surface, the washplane can be specified in a wide range of finishes to suit any project.

+ TSL.AERO1



<b>Variant code</b>	<b>Size</b>	<b>Users</b>
TSL.AERO1	30" x 20	1 User

#### **Technical Data**

Warranty	10 Year material warranty	1 Year mechanical warranty
Washplane Material	Solid Surface	
Support System	Mild steel, Stainless steel, Aluminum and PVC	
Colours	See suppliers for full range of finishes.	

#### **Installation requirements**

Wall construction	Brackets included. Installer should ascertain that wall construction is sufficiently designed to support the Aerofoil.
Fixed height	See Drawing
Wall Fixings	Must be fixed to a suitable wall substrate to allow for the correct use of the Aerofoil. The Splash Lab recommend that installers contact a fixings specialist for advice to ensure the correct fixings are used for the location. Wall fixings are not included with the Aerofoil
Plumbing	Connection to 1 1/2" waste outlet required. (one connection per user) Installer to provide water for faucets. See separate datasheet for The Splash Lab sensor faucets.
Access requirements	Solenoid and isolation valves must be accessible for initial installation & commissioning and for ongoing and routine maintenance.

#### **Compliance & certificates**

ADA	ADA compliant when installed correctly
IPC	2021, 2018, 2015, 2012 and 2009
IRC	2021, 2018, 2015, 2012 and 2009
NPC	2015, 2010 and 2005
LEED	Solid surface products contribute to LEED v.4 points for Indoor Air Quality
CSA	B45.5 / IAPMO Z124-2017 – Plastic Plumbing Fixtures

**Included**

- 1x Washplane
- 1x Washplane extrusion
- 1x PVC gully extrusion
- 1x Grate housing extrusion
- 1x Sprung steel grate
- 1x Waste support bracket
- 1x Waste funnel
- 2x Leg assembly w/ clamp block

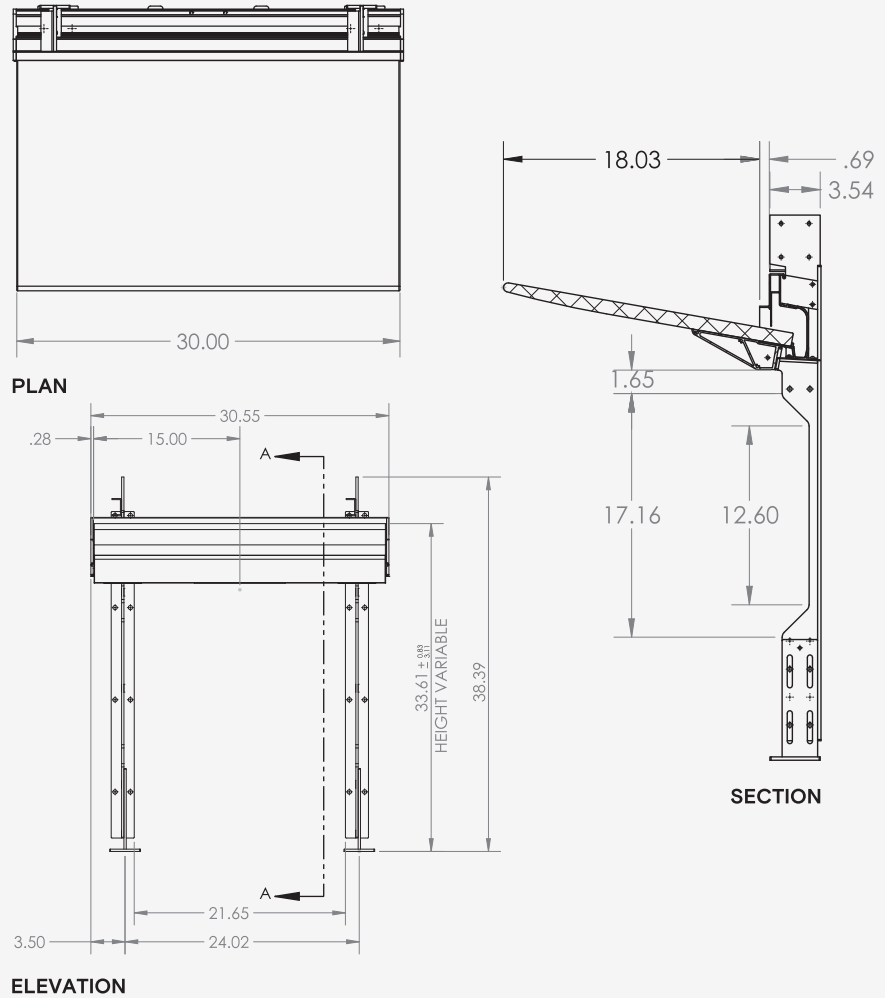
**Not included**

- Faucet
- Mounting hardware

**Warranty**

- 10 Year material warranty
- 1 Year mechanical warranty

**+ Technical drawing**



**Spare parts**

If a situation arises where you require replacement components outside of a maintenance contract, there may be provision to obtain spare parts. Providing the components are under warranty and the parts have become non-functioning during normal use within their assumed usable life, they may be replaced. Should a replacement mains power supply be required it is imperative that an identical type is used. Contact **The Splash Lab** for further information.

**Related products**



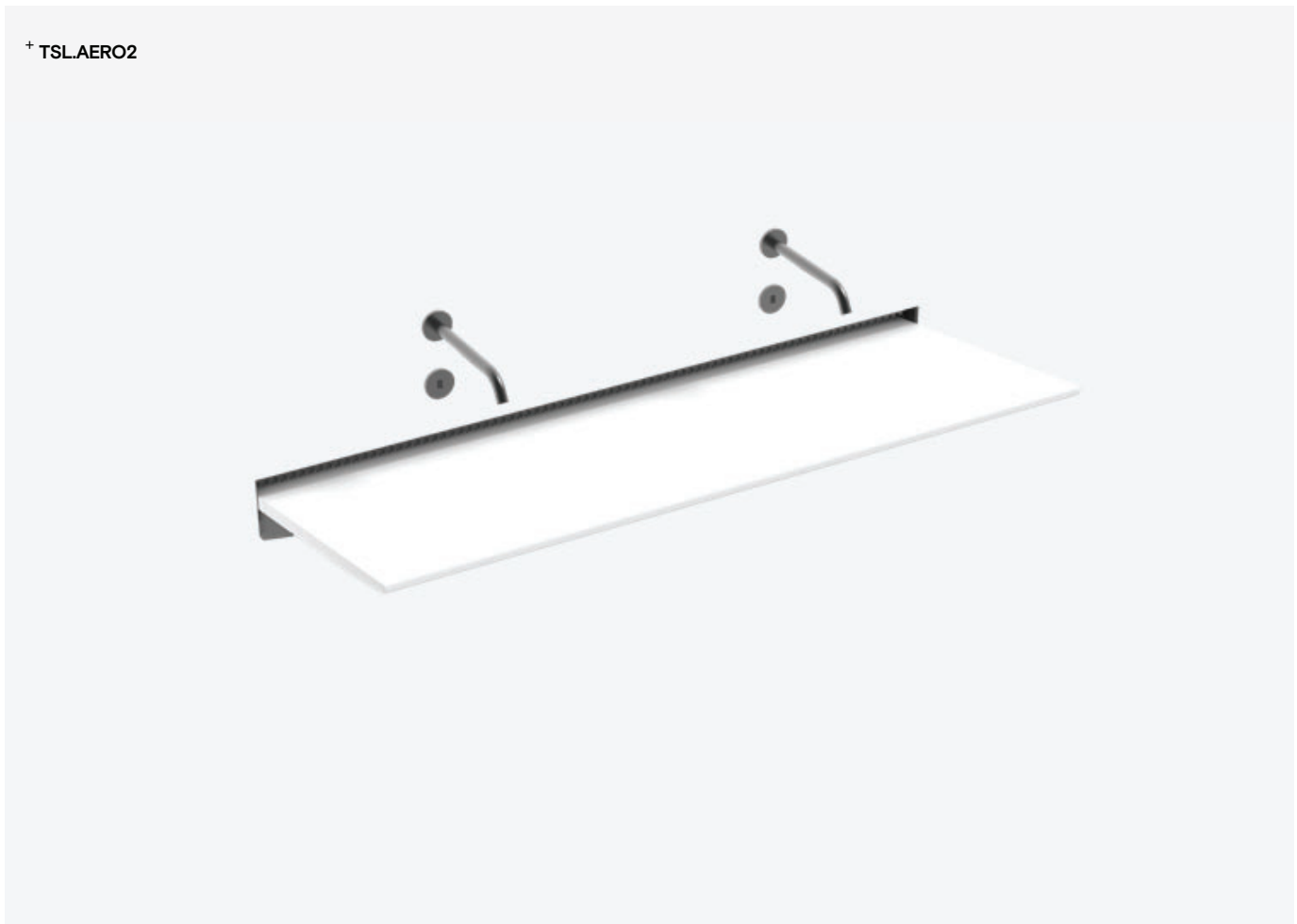
**The Radius Sensor Tap**  
TSL.882



**The Radius Soap Dispenser**  
TSL.467

# The Aerofoil

The Aerofoil is a single-plane sink system with a proprietary in-wall support system. Crafted from solid surface, the washplane can be specified in a wide range of finishes to suit any project.



Variant code	Size	Users
TSL.AERO2	60" x 20	2 User

#### Technical Data

Warranty	10 Year material warranty	1 Year mechanical warranty
Washplane Material	Solid Surface	
Support System	Mild steel, Stainless steel, Aluminum and PVC	
Colours	See suppliers for full range of finishes.	

#### Installation requirements

Wall construction	Brackets included. Installer should ascertain that wall construction is sufficiently designed to support the Aerofoil.	
Fixed height	See Drawing	
Wall Fixings	Must be fixed to a suitable wall substrate to allow for the correct use of the Aerofoil. The Splash Lab recommend that installers contact a fixings specialist for advice to ensure the correct fixings are used for the location. Wall fixings are not included with the Aerofoil	
Plumbing	Connection to 1 1/2" waste outlet required. (one connection per user) Installer to provide water for faucets. See separate datasheet for The Splash Lab sensor faucets.	
Access requirements	Solenoid and isolation valves must be accessible for initial installation & commissioning and for ongoing and routine maintenance.	

#### Compliance & certificates

ADA	ADA compliant when installed correctly	
IPC	2021, 2018, 2015, 2012 and 2009	
IRC	2021, 2018, 2015, 2012 and 2009	
NPC	2015, 2010 and 2005	
LEED	Solid surface products contribute to LEED v.4 points for Indoor Air Quality	
CSA	B45.5 / IAPMO Z124-2017 – Plastic Plumbing Fixtures	



### Included

- 1x Washplane
- 1x Washplane extrusion
- 1x PVC gully extrusion
- 1x Grate housing extrusion
- 2x Sprung steel grate
- 2x Waste support bracket
- 2x Waste funnel
- 3x Leg assembly w/ clamp block

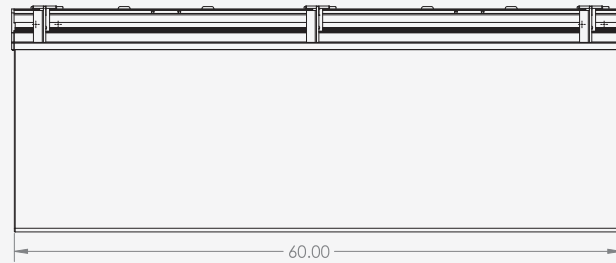
### Not included

- Faucet
- Mounting hardware

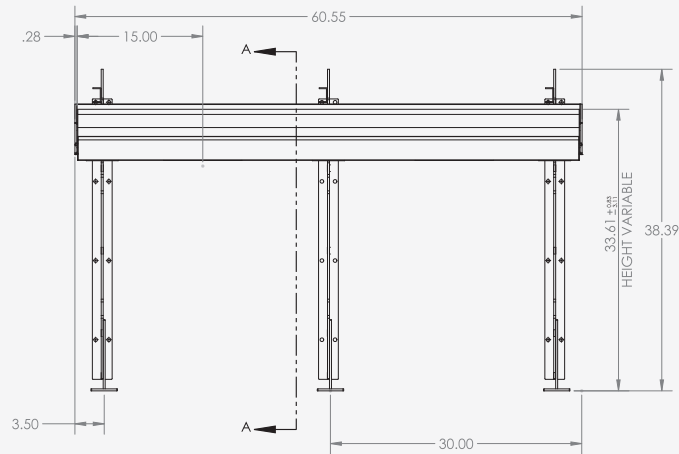
### Warranty

- 10 Year material warranty
- 1 Year mechanical warranty

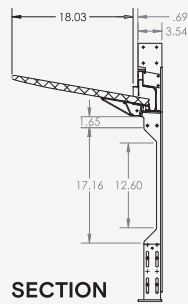
### + Technical drawing



PLAN



ELEVATION



SECTION

### Spare parts

If a situation arises where you require replacement components outside of a maintenance contract, there may be provision to obtain spare parts. Providing the components are under warranty and the parts have become non-functioning during normal use within their assumed usable life, they may be replaced. Should a replacement mains power supply be required it is imperative that an identical type is used. Contact **The Splash Lab** for further information.

### Related products



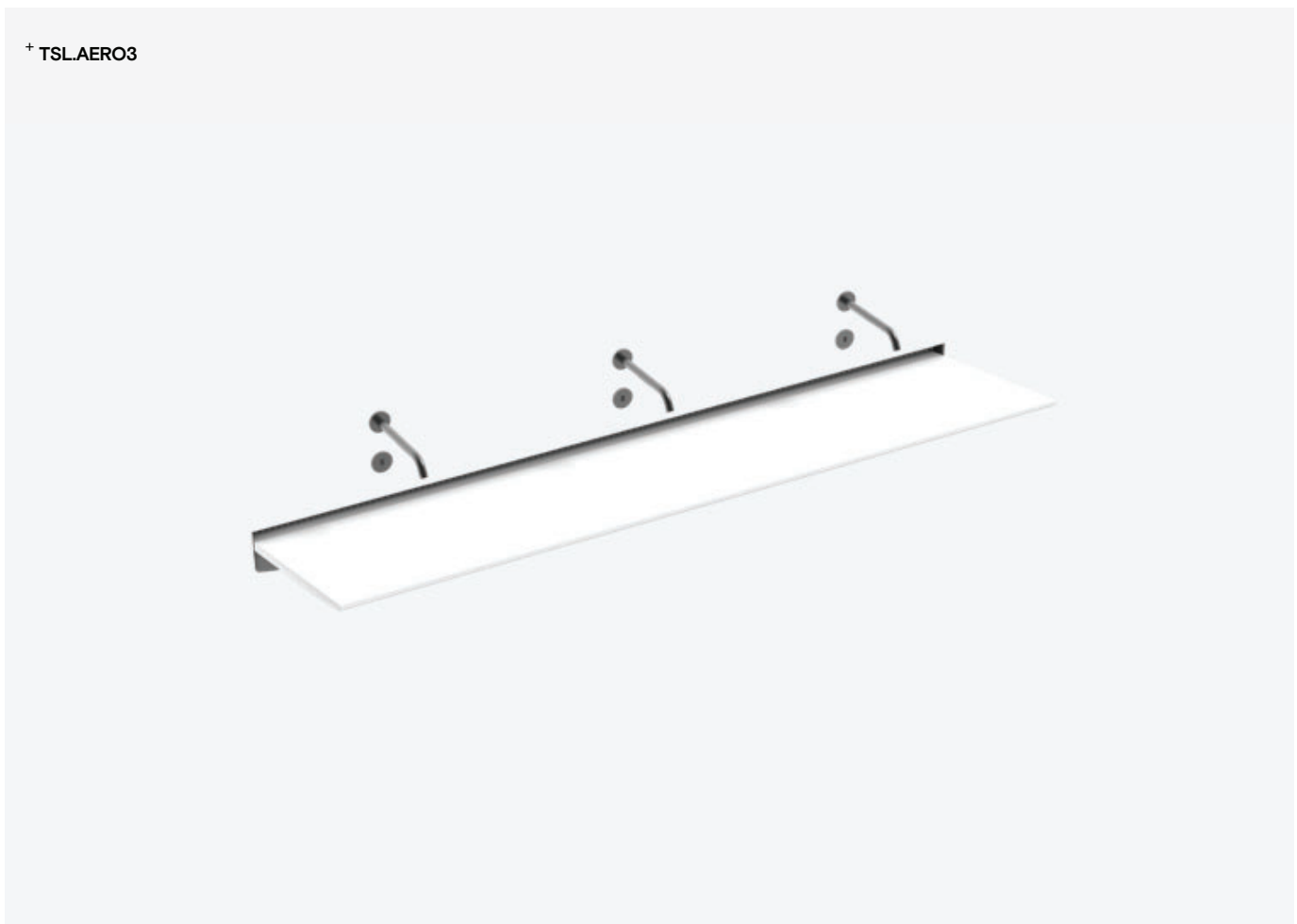
**The Radius Sensor Tap**  
TSL.882



**The Radius Soap Dispenser**  
TSL.467

# The Aerofoil

The Aerofoil is a single-plane sink system with a proprietary in-wall support system. Crafted from solid surface, the washplane can be specified in a wide range of finishes to suit any project.



Variant code	Size	Users
TSL.AERO3	90" x 20	3 User

#### Technical Data

Warranty	10 Year material warranty	1 Year mechanical warranty
Washplane Material	Solid Surface	
Support System	Mild steel, Stainless steel, Aluminum and PVC	
Colours	See suppliers for full range of finishes.	

#### Installation requirements

Wall construction	Brackets included. Installer should ascertain that wall construction is sufficiently designed to support the Aerofoil.	
Fixed height	See Drawing	
Wall Fixings	Must be fixed to a suitable wall substrate to allow for the correct use of the Aerofoil. The Splash Lab recommend that installers contact a fixings specialist for advice to ensure the correct fixings are used for the location. Wall fixings are not included with the Aerofoil	
Plumbing	Connection to 1 1/2" waste outlet required. (one connection per user) Installer to provide water for faucets. See separate datasheet for The Splash Lab sensor faucets.	
Access requirements	Solenoid and isolation valves must be accessible for initial installation & commissioning and for ongoing and routine maintenance.	

#### Compliance & certificates

ADA	ADA compliant when installed correctly	
IPC	2021, 2018, 2015, 2012 and 2009	
IRC	2021, 2018, 2015, 2012 and 2009	
NPC	2015, 2010 and 2005	
LEED	Solid surface products contribute to LEED v.4 points for Indoor Air Quality	
CSA	B45.5 / IAPMO Z124-2017 – Plastic Plumbing Fixtures	

### Included

- 1x Washplane
- 1x Washplane extrusion
- 1x PVC gully extrusion
- 1x Grate housing extrusion
- 3x Sprung steel grate
- 3x Waste support bracket
- 3x Waste funnel
- 4x Leg assembly w/ clamp block

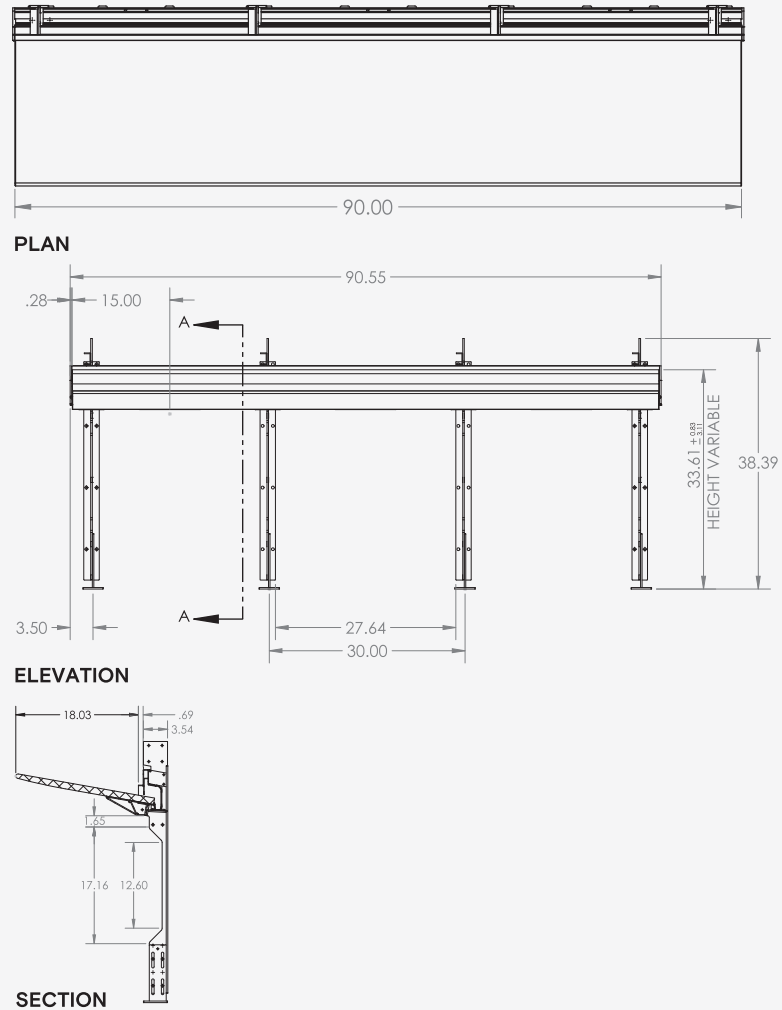
### Not included

- Faucet
- Mounting hardware

### Warranty

- 10 Year material warranty
- 1 Year mechanical warranty

### + Technical drawing



### Spare parts

If a situation arises where you require replacement components outside of a maintenance contract, there may be provision to obtain spare parts. Providing the components are under warranty and the parts have become non-functioning during normal use within their assumed usable life, they may be replaced. Should a replacement mains power supply be required it is imperative that an identical type is used. Contact **The Splash Lab** for further information.

### Related products



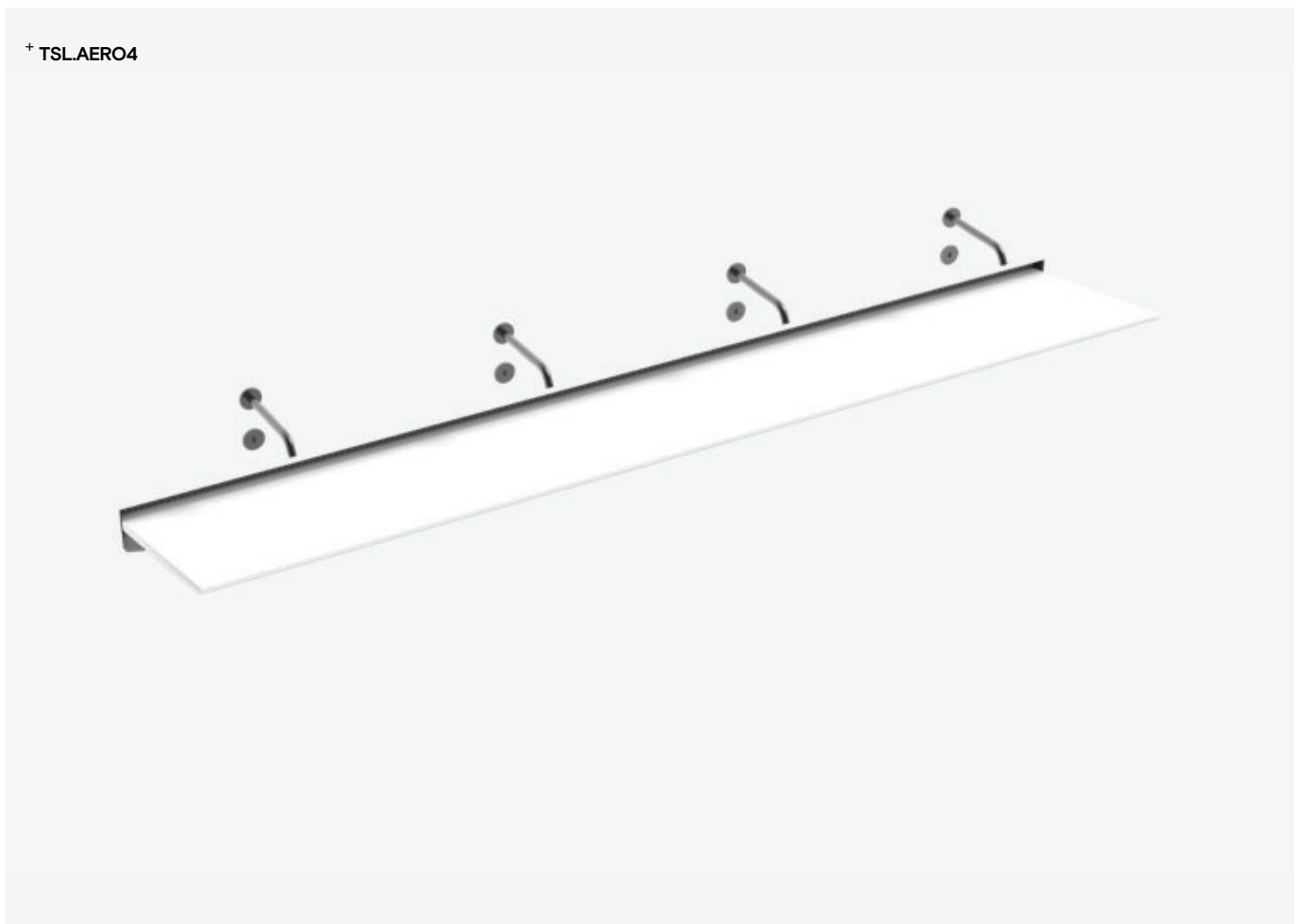
**The Radius Sensor Tap**  
TSL.882



**The Radius Soap Dispenser**  
TSL.467

# The Aerofoil

The Aerofoil is a single-plane sink system with a proprietary in-wall support system. Crafted from solid surface, the washplane can be specified in a wide range of finishes to suit any project.



Variant code	Size	Users
TSL.AERO4	120" x 20	4 User

#### Technical Data

Warranty	10 Year material assembly	1 Year mechanical warranty
Washplane Material	Solid Surface	
Support System	Mild steel, Stainless steel, Aluminum and PVC	
Colours	See suppliers for full range of finishes.	

#### Installation requirements

Wall construction	Brackets included. Installer should ascertain that wall construction is sufficiently designed to support the Aerofoil.	
Fixed height	See Drawing	
Wall Fixings	Must be fixed to a suitable wall substrate to allow for the correct use of the Aerofoil. The Splash Lab recommend that installers contact a fixings specialist for advice to ensure the correct fixings are used for the location. Wall fixings are not included with the Aerofoil	
Plumbing	Connection to 1 1/2" waste outlet required. (one connection per user) Installer to provide water for faucets. See separate datasheet for The Splash Lab sensor faucets.	
Access requirements	Solenoid and isolation valves must be accessible for initial installation & commissioning and for ongoing and routine maintenance.	

#### Compliance & certificates

ADA	ADA compliant when installed correctly	
IPC	2021, 2018, 2015, 2012 and 2009	
IRC	2021, 2018, 2015, 2012 and 2009	
NPC	2015, 2010 and 2005	
LEED	Solid surface products contribute to LEED v.4 points for Indoor Air Quality	
CSA	B45.5 / IAPMO Z124-2017 – Plastic Plumbing Fixtures	

**Included**

- 1x Washplane
- 1x Washplane extrusion
- 1x PVC gully extrusion
- 1x Grate housing extrusion
- 4x Sprung steel grate
- 4x Waste support bracket
- 4x Waste funnel
- 5x Leg assembly w/ clamp block

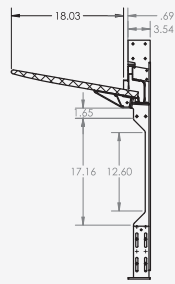
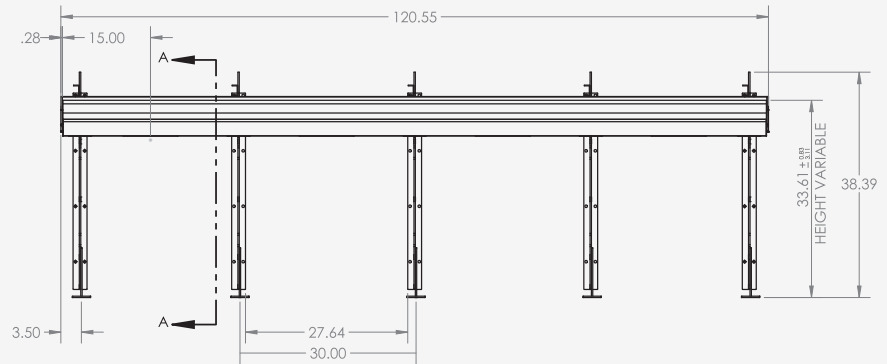
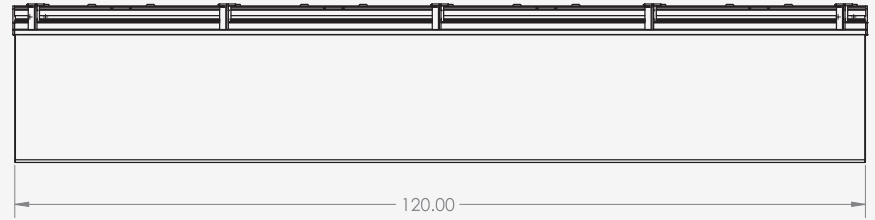
**Not included**

- Faucet
- Mounting hardware

**Warranty**

- 10 Year material warranty
- 1 Year mechanical warranty

**+ Technical drawing**



**Spare parts**

If a situation arises where you require replacement components outside of a maintenance contract, there may be provision to obtain spare parts. Providing the components are under warranty and the parts have become non-functioning during normal use within their assumed usable life, they may be replaced. Should a replacement mains power supply be required it is imperative that an identical type is used. Contact **The Splash Lab** for further information.

**Related products**



**The Radius Sensor Tap**  
TSL.882



**The Radius Soap Dispenser**  
TSL.467